

SBU-500WM

Крепление для позиционной системы



Key Features

- Только для системы позиционирования

Compatible Accessories (Optional)



TNU-6321



TNU-6320

Mechanical

| | |
|------------------------------------|---|
| Color | White |
| Material | Aluminum |
| Product dimensions / weight | 151.7(Ø)x425.5(D)mm, 2.5Kg(5.51 lb) |
| Supported products | TNU-6320/6321 ※ For further compatible models, please visit our website or use Toolbox |

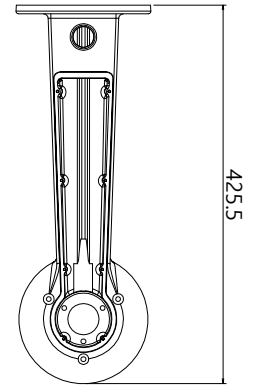
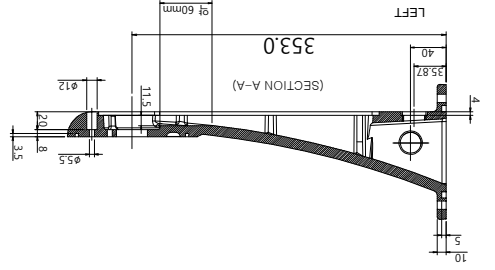
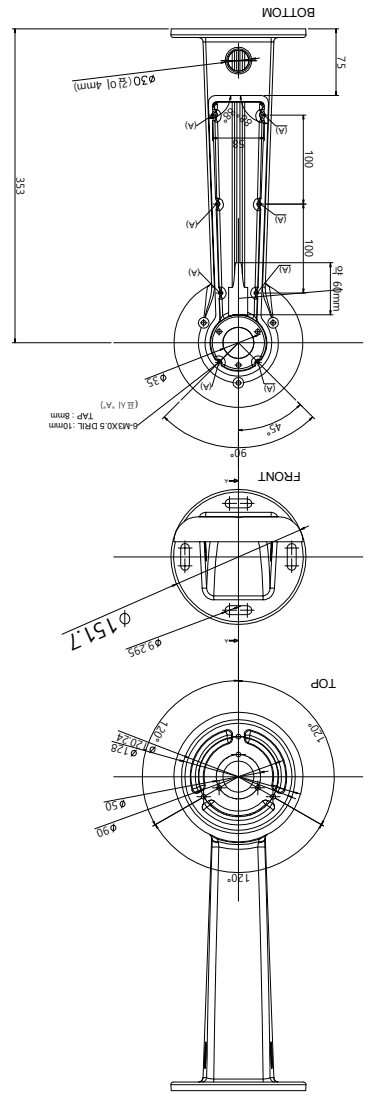
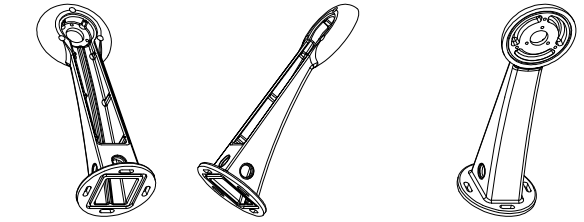
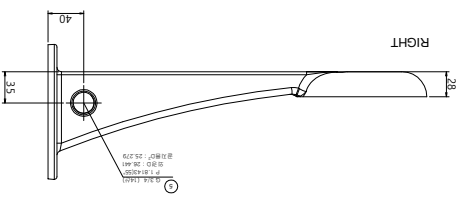
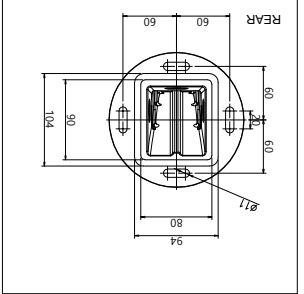
- The latest product information / specification can be found at hanwha-security.com
- Design and specifications are subject to change without notice.
- Wisenet is the proprietary brand of Hanwha Techwin, formerly known as Samsung Techwin.

| GENERAL TOLERANCE/ | | FILE NAME | | | MATERIAL/材 | | FINISH | | DRW./NO/ |
|--------------------|-------|-----------|-------|-------|------------|--|--------|--|----------|
| 0 | ±0.03 | A | ±0.05 | ±0.02 | | | | | |
| 5 | ±0.10 | B | ±0.10 | ±0.03 | | | | | |
| 5 | ±0.30 | C | ±0.30 | ±0.05 | | | | | |
| 5 | ±0.50 | | | | | | | | |
| 5 | ±0.18 | | | | | | | | |
| 5 | ±0.30 | | | | | | | | |
| 5 | ±0.50 | | | | | | | | |
| 1000 | ±0.50 | | | | | | | | |
| 500 - 1000 | ±1.50 | | | | | | | | |

| DATE | | 2018.05.25 | |
|----------|--------|------------------------|---------|
| MODEL | NO./型号 | DESCRIPTION | DESCRIP |
| TNU-6321 | | WALL MOUNTZ(SBU-500WM) | |
| SIZE | MODEL | DESCRIPTION | DESCRIP |
| | | | |
| | | | |

| SHEET 1 OF 1 | |
|--------------|--|
| TNU-6321 | |

- NOTE
1. MATERIAL : AC7A
 2. 기본 두께 : 8T
 3. 중량 : 약 2.5kg
 4. FINISH : 크로메이트 (도장 : HB8000,H-WH0335-S9 SNOW WHITE)
 5. 표시 하지 않는 구배는 3°로 함 것.
 6. 일반 공차는 도면에 주함.
 7. BURR 및 날카로운 부분은 없을 것.
 8. 기타 의문 사항은 설계자와 협의 할 것.
 9. 전환경 유해 물질(RoHS 규제물질) 사용하지 말 것.



| | | | |
|--|--|--|--|
| | | | |
| | | | |
| | | | |
| | | | |